



**NI-HARD**

**WEAR PARTS**

**FOR CONCRETE MIXERS**

# Texaloy Ni-Hard Wear Parts: In Over 80 Countries Throughout the World

Our attention to detail is unsurpassed, resulting in exceptional quality and outstanding customer service. With over a half century of experience producing the best Ni-Hard castings, Texaloy sets the industry standard. Our commitment to excellence is reflected in everything we do.

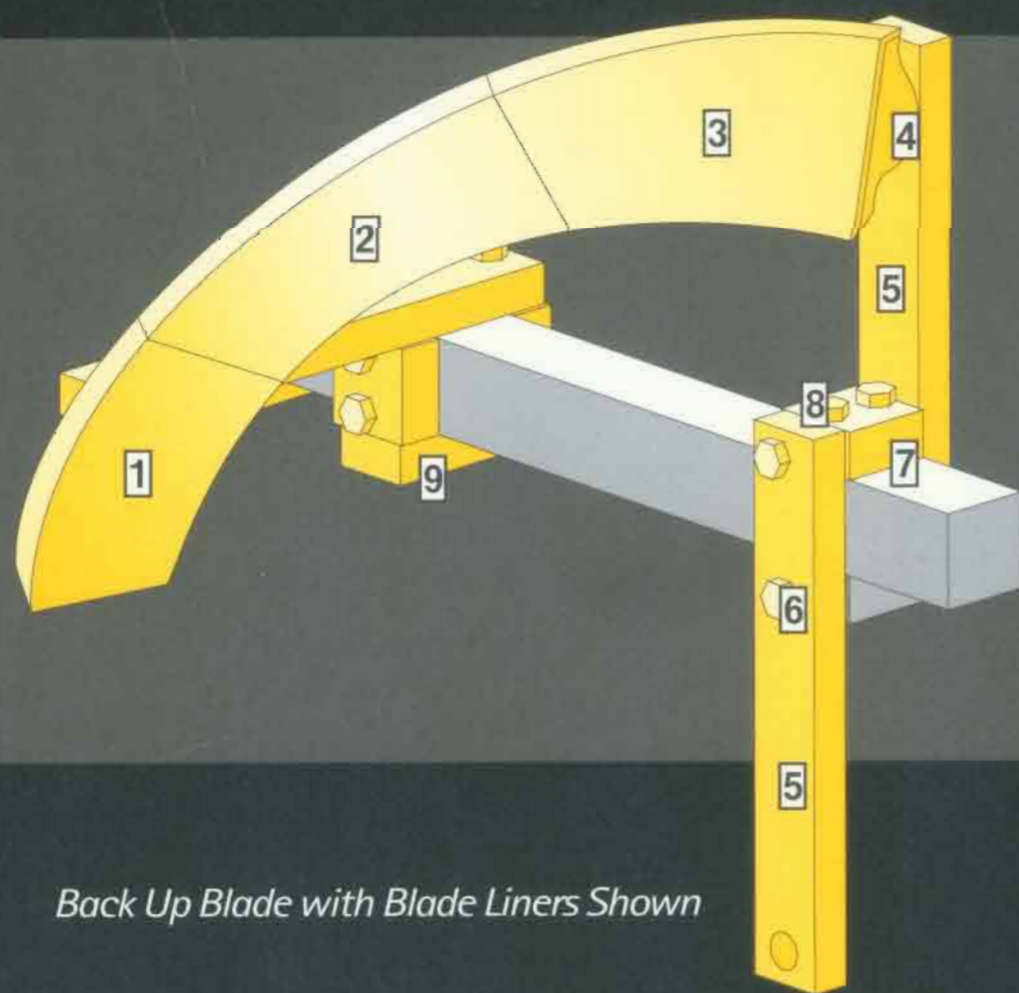
Call today and find out why Texaloy is the world leader.

830.393.4066 800.367.6518 FAX 830.393.7543 PO BOX 37  
FLORESVILLE, TEXAS 78114-0089 WWW.TEXALOY.COM

Besser 50', 60'	2
Besser 80', 100', 120'	4
Besser 10 yard	6
Teka	7
Mixer Systems	8
The Story of Texaloy	9
Simem	13
Praschak 30', 50'	14
Praschak 75', 81', 100'	15
Go Corp 42', 50'	16
Go Corp 60', 75'	17
Stearns	18
Eirich/Femjert/Liebherr/ Schlosser/Schwing/Wiggert	19
Roto/Voeller	20
Log Washer Paddles/ Auger Wear Flights and Shoes	21

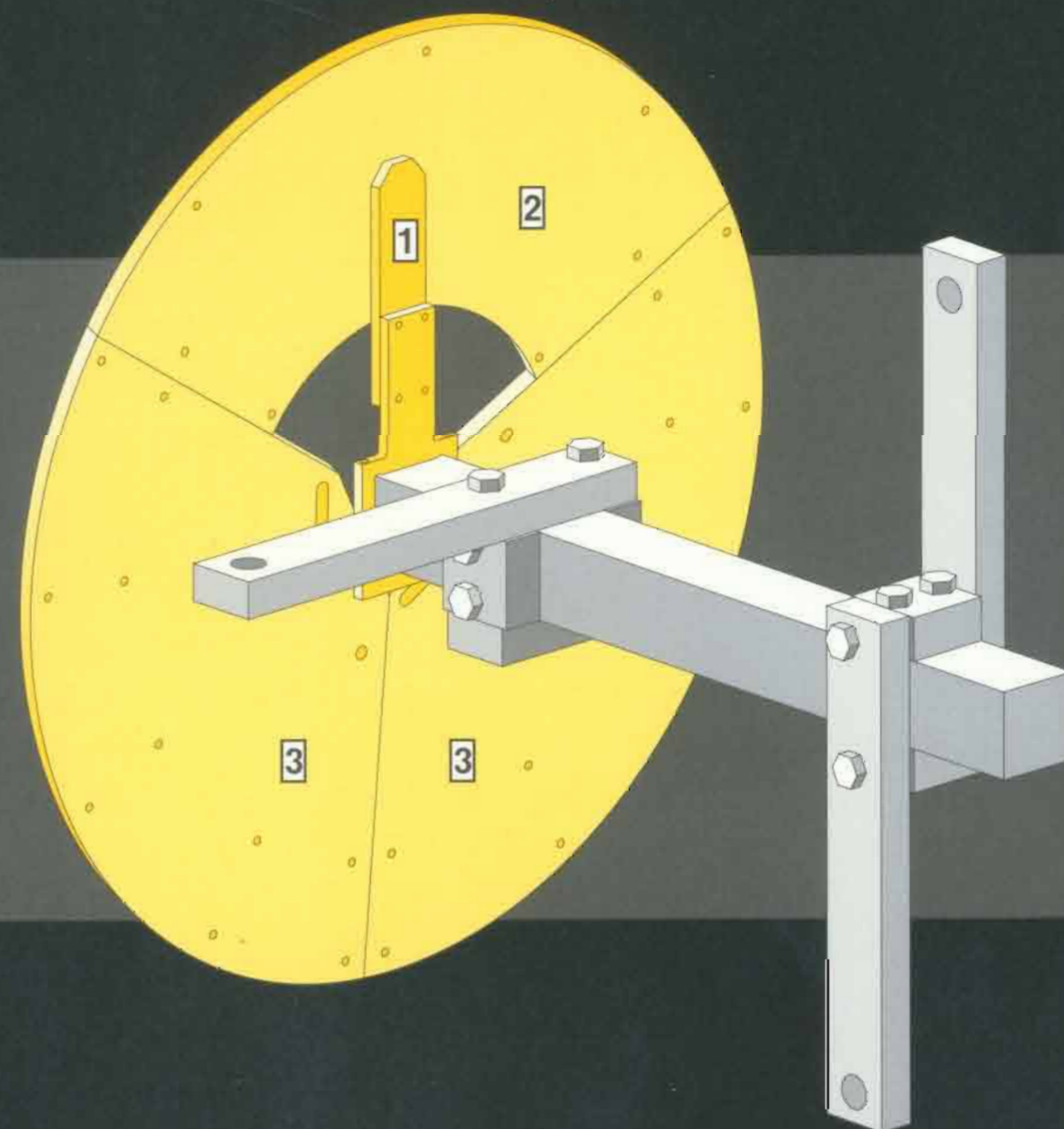
OEM No.	DESCRIPTION	PART No.
1	358685 Blade Liner - Left Tip	BSBL-358685
2	358686 Blade Liner - Left Inside	BSBL-358686
3	358687 Blade Liner - Left Heel	BSBL-358687
	358688 Blade Liner - Right Tip (not shown)	BSBL-358688
	358689 Blade Liner - Right Inside (not shown)	BSBL-358689
	358690 Blade Liner - Right Heel (not shown)	BSBL-358690

OEM No.	DESCRIPTION	PART No.
1	260187 Mixer Scraper	BSS-260187



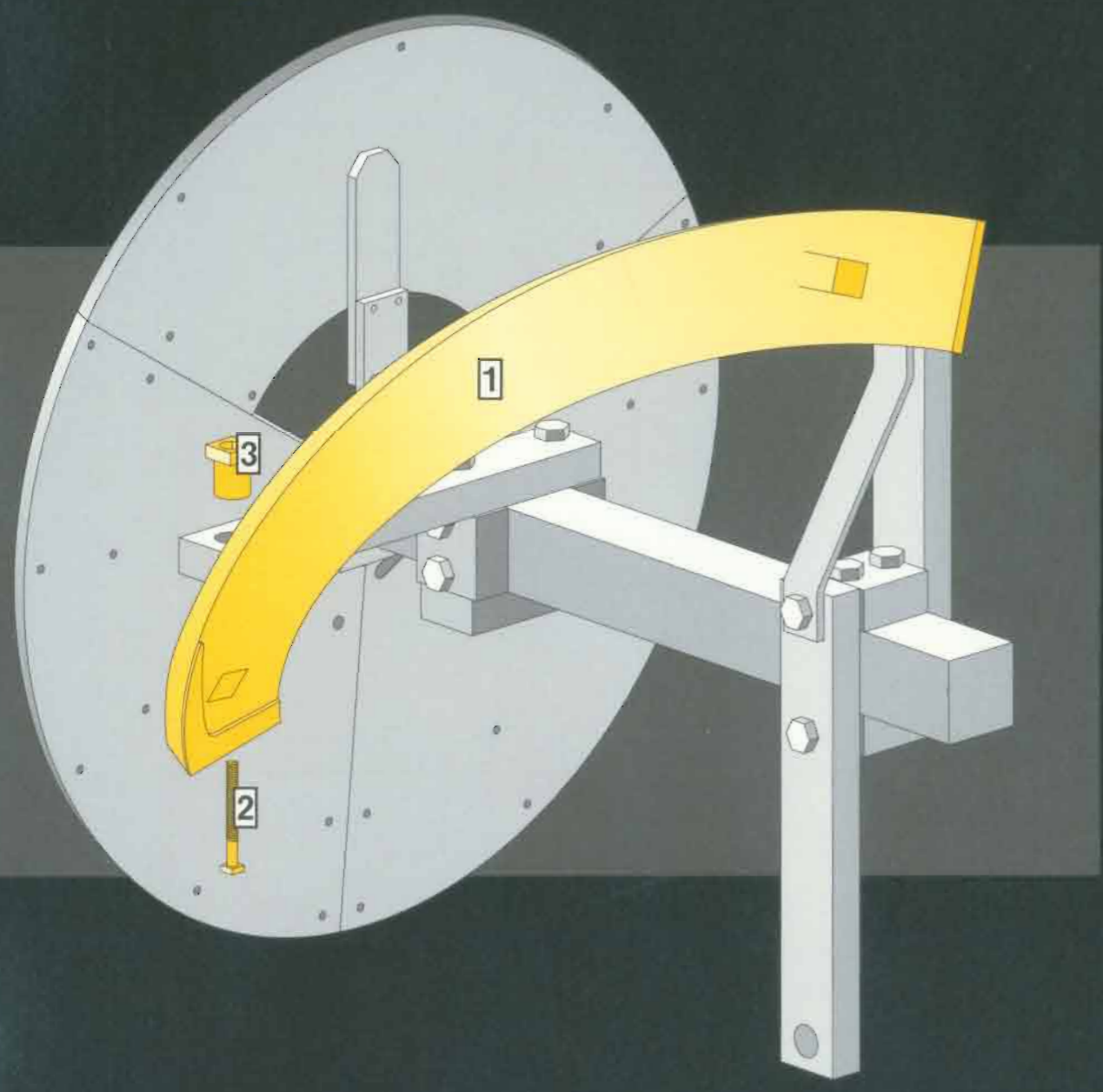
*Back Up Blade with Blade Liners Shown*

4	356248 LH Back Up Blade	BSBLB-356248
	356247 RH Back Up Blade (not shown)	BSBLB-356247
5	008853 Blade Arm	BSA-008853
6	87168 Bolt 1 1/2" x 12"	BSBB-87168
7	18727 Blade Arm Blocking	BSAB-18727
8	87195 Bolt 1 1/4" x 13"	BSBB-87195
9	18726 Blade Arm Strap	BSAS-18726



2	259722 Top Section Head Liner (one required per end)	BSL-259722
3	296905 Head Liner (two required per end)	BSL-296905

OEM NO.	DESCRIPTION	PART NO.
1 76654	LH Spiral Blade	BSB-76654
2 87393	Sq. Head Blade Bolt 1 1/4" x 11"	BSBB-87393
3 229070	Adj. Eccentric	BSBE-229070

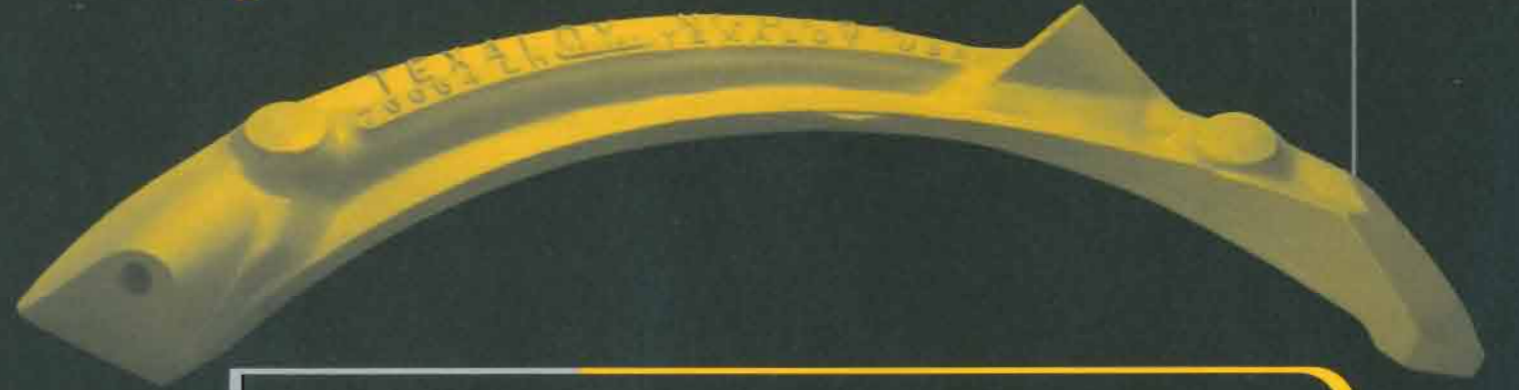


Solid Blade Shown

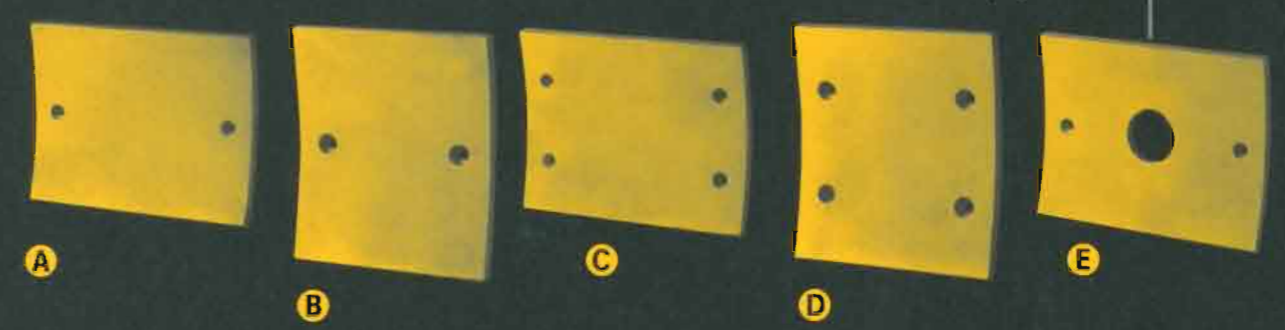
OEM NO.	DESCRIPTION	PART NO.
76653	RH Spiral Blade	BSB-76653



OEM NO.	DESCRIPTION	PART NO.
1 76654	LH Spiral Blade	BSB-76654



OEM NO.	DESCRIPTION	PART NO.
2228	18" Drum Liner	A BSL-2228
2263	12" Drum Liner	B BSL-2263
2264	18" Door Liner	C BSL-2264
2229	12" Door Liner	D BSL-2229
302201	18" Probe Liner	E BSL-302201
	Drum Liner Bolts	BSLB-50 (1)



TEXALOY FOUNDRY COMPANY MANUFACTURES REPLACEMENT PARTS TO FIT MACHINES MANUFACTURED BY THE COMPANIES LISTED IN THIS CATALOG. TEXALOY IS NOT AFFILIATED WITH THESE COMPANIES. OUR CASTINGS ARE GENUINE TEXALOY CASTINGS AND ARE MADE IN THE U.S.A.

A	A	B	A	A
A	C	D	C	A
A	A	B	A	A
A	E	B	E	A
A	A	B	A	A
A	A	B	A	A
A	A	B	A	A

50' Mixer Layout